



KEYSTONE ADJUSTABLE WAFER STYLE TRAVEL STOPS

Adjustable travel stop and safety lockout device for Keystone F79U/E 003 - 036 pneumatic actuators.



FEATURES

- Allows simple and easy adjustment of the open and close position of the valve and actuator arrangement.
- Compact low profile wafer style.
- Padlocking facility provided as standard.
- No degrading of valve to actuator connection strength.
- Can be retro-fitted to existing Keystone valve and F79U/E 003 -012 actuator arrangements.
- Capable of providing valve locking when the actuator is removed (when fitted with two retaining screws.)

GENERAL APPLICATION

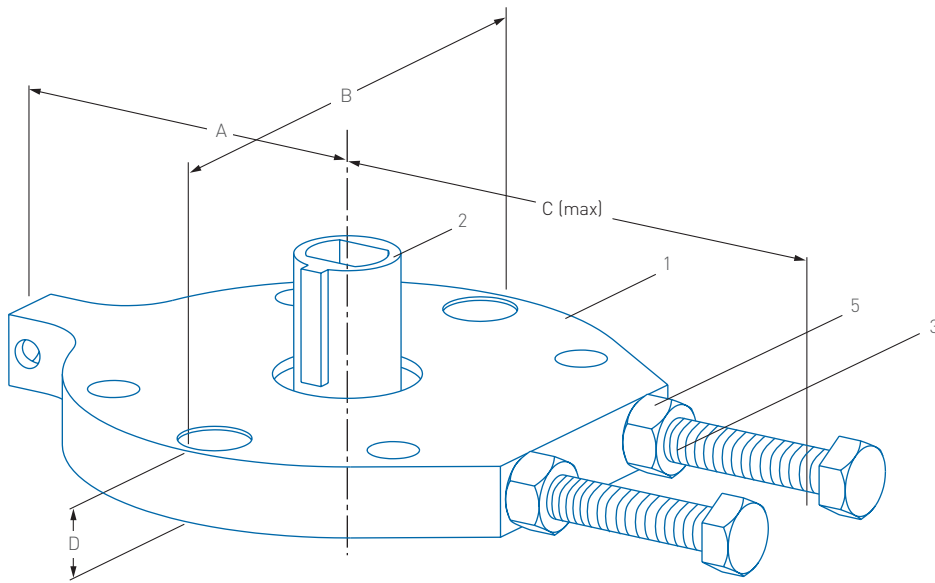
For limiting travel of F79U/E actuated valves in either or both directions.
The lockout facility meets most site lockout requirements.

TECHNICAL DATA

Travel stop range: - 5° to 95° of full travel
Lockable range: - 5° at either end of stroke



KEYSTONE ADJUSTABLE WAFER STYLE TRAVEL STOPS



PARTS LIST

No.	Description	Material
1	Mounting plate	Aluminium alloy, powder coated
2	Travel stop cam (DN 50 - DN 150) (DN 200 - DN 300)	316 S/S 431 S/S
3	Travel stop screws	304 S/S
4	Lockout screw (not shown)	304 S/S
5	Lock nuts	304 S/S
6	Mounting fasteners (not shown)	304 S/S

DIMENSIONS (mm)

Size	A	B	C	D	kg
50 - 150	75	102	105	20	0.8
200 - 300	102	152	152	25	1.8

NOTE

When used in conjunction with some solenoid and actuator arrangements, the actuator may need to be re-orientated 90° to prevent obstructing the lock-up facility.

Neither Emerson, Emerson Automation Solutions, nor any of their affiliated entities assumes responsibility for the selection, use or maintenance of any product. Responsibility for proper selection, use, and maintenance of any product remains solely with the purchaser and end user.

Keystone is a mark owned by one of the companies in the Emerson Automation Solutions business unit of Emerson Electric Co. Emerson Automation Solutions, Emerson and the Emerson logo are trademarks and service marks of Emerson Electric Co. All other marks are the property of their respective owners.

The contents of this publication are presented for informational purposes only, and while every effort has been made to ensure their accuracy, they are not to be construed as warranties or guarantees, express or implied, regarding the products or services described herein or their use or applicability. All sales are governed by our terms and conditions, which are available upon request. We reserve the right to modify or improve the designs or specifications of such products at any time without notice.

Emerson.com/FinalControl