

MODEL RA-A DICER

PRECURSOR TO THE INTEGRA

The Urschel Model RA-A produces a wide range of dices and strip cuts from a variety of products such as fruits, vegetables, products for relish, nuts, and processed meats. Maximum input product is 3-1/2" (88.9 mm) in any dimension. The Model RA-A features sanitary, stainless steel product contact parts, continuous operation for uninterrupted production, and simplified design for easy cleanup and maintenance.



TYPES OF CUTS

DICES

A slicing knife, circular knife spindle and crosscut knife spindle are used for dicing. Changing the size of the cubes is done by using the required cutting spindles and adjusting the slice thickness.

Slice thickness:

1/16 – 3/8" (1.6 – 9.5 mm)

Circular Knife Cuts:

1/8 – 1" (3.2 – 25.4 mm)

Crosscut Knife Cuts:

1/8 – 1-1/2" (3.2 – 38.1 mm)

STRIPS

Removal of crosscut knife spindle and shaft will enable the user to cut strips through a wide variety of dimensions.



1 CITRUS PEEL
3/8 x 1/8" (9.5 x 3.2 mm)

2 TORTILLA CHIP
1/4" (6.4 mm)

3 GREEN PEPPER
3/8" (9.5 mm)
Dice

4 PEANUT BUTTER CUP
3/4" (19 mm)
Granulation

5 PICKLE
1/8 x 1/8 x 1/4"
(3.2 x 3.2 x 6.4 mm)

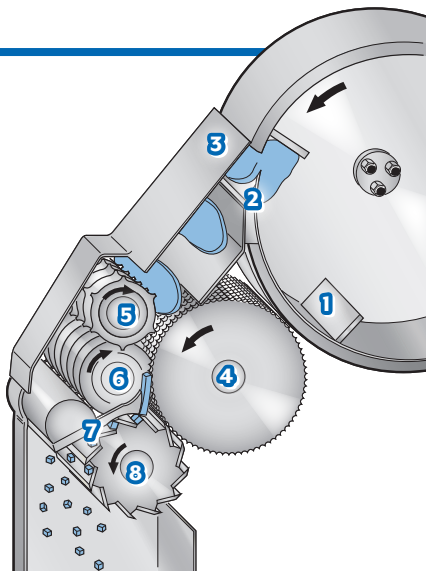
6 HAM
3/8" (9.5 mm)
Dice

7 PINEAPPLE
1/2" (12.7 mm)
Dice

8 SANDWICH COOKIE
3/4" (19 mm)
Granulation

9 PEPPERONI
3/8 x 1/2 x 1/2"
(9.5 x 12.7 x 12.7 mm)

CUTTING OVERVIEW



1. Impeller Paddles
2. Slicing Knife
3. Adjustable Case Gate
4. Feed Drum
5. Feed Spindle
6. Circular Knives
7. Stripper Plate
8. Crosscut Knives

MODEL RA-A DICER

Measurements and weights may vary depending on machine configuration.

Length:..... 45.53" (1156 mm)

Net Weight: 700 lb (317.5 kg)

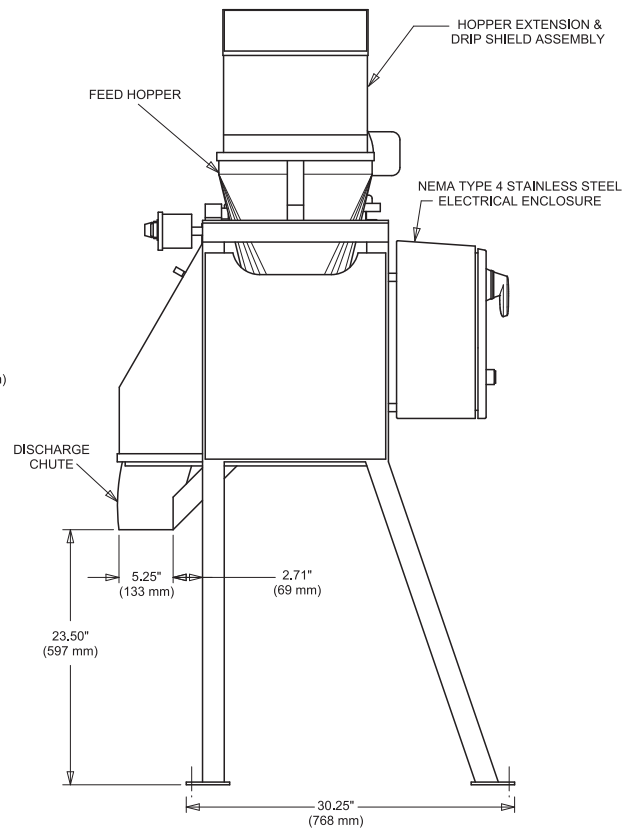
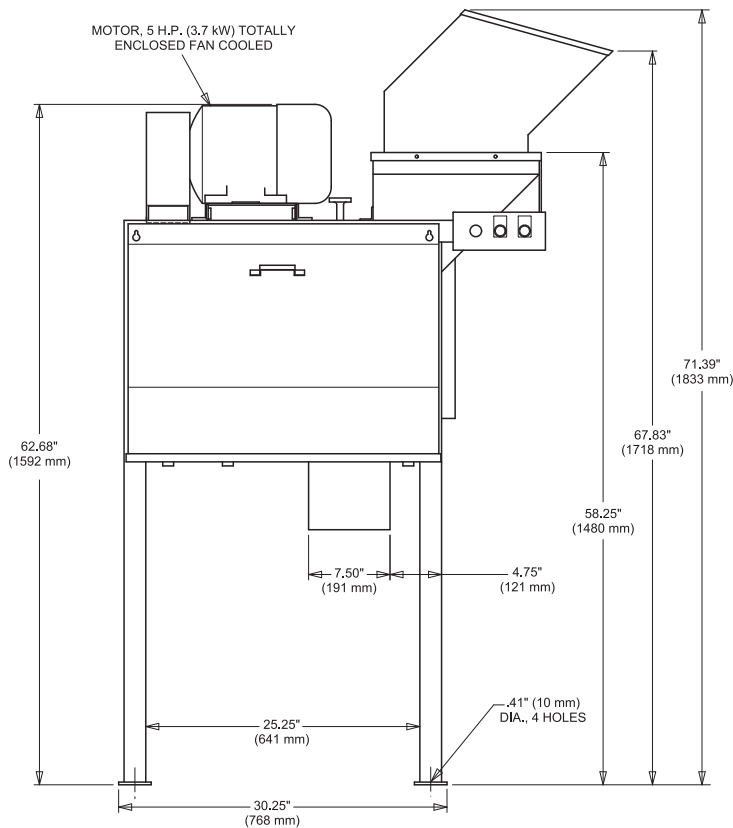
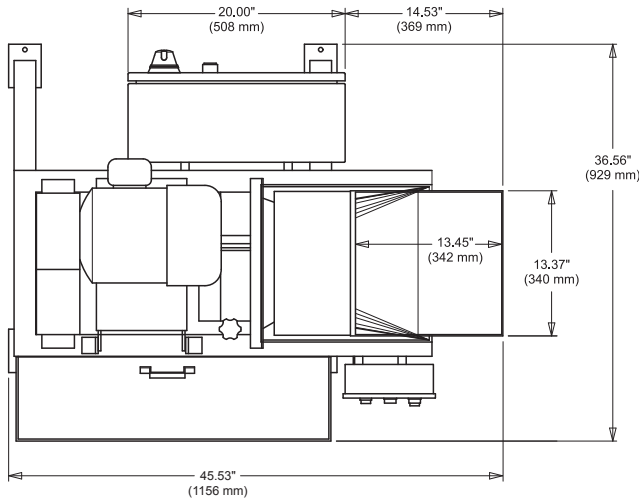
Width:..... 36.56" (929 mm)

Motor:..... 5 HP (3.7 kW)

Height:..... 71.39" (1813 mm)



SPECIFICATIONS & DIMENSIONS



TEST CUT YOUR PRODUCT

Contact your local Urschel representative to schedule a comprehensive, no-obligation test-cut of your product: www.urschel.com.



URSCHEL®

The Global Leader in Food Cutting Technology

www.urschel.com | ✉ info@urschel.com